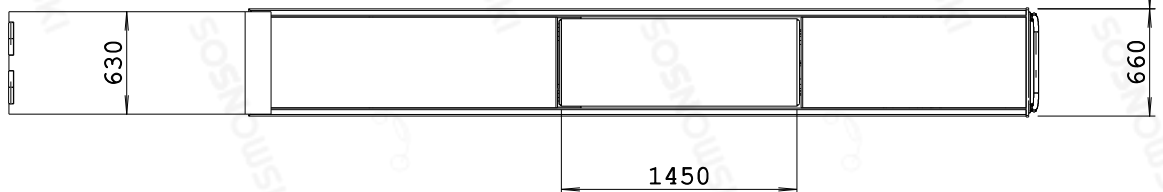
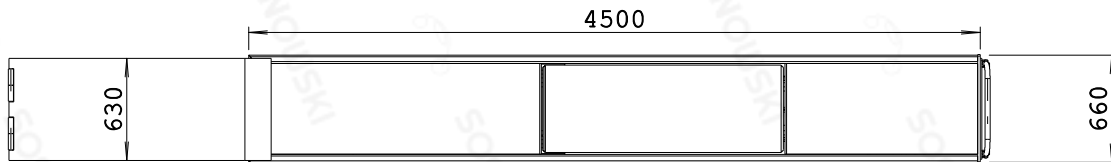
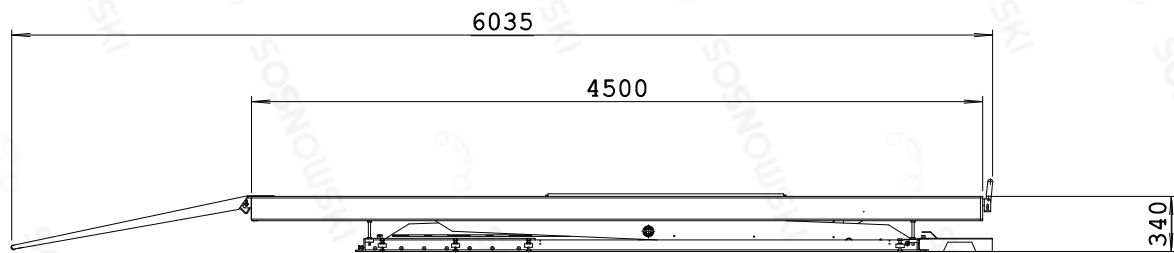
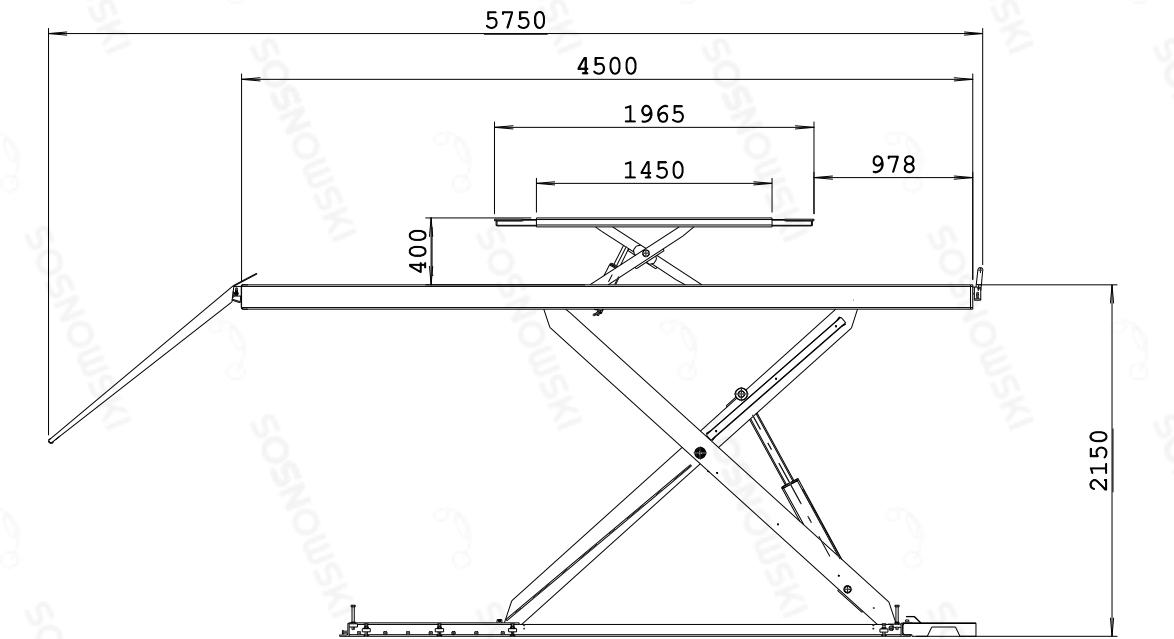
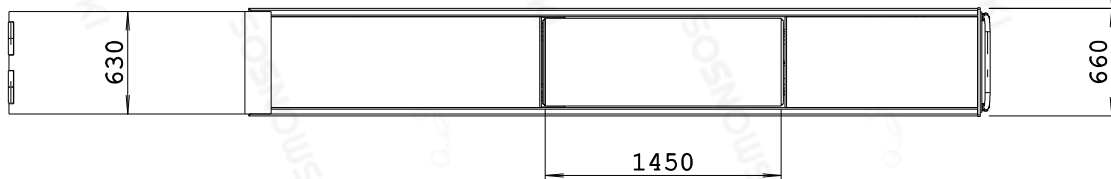


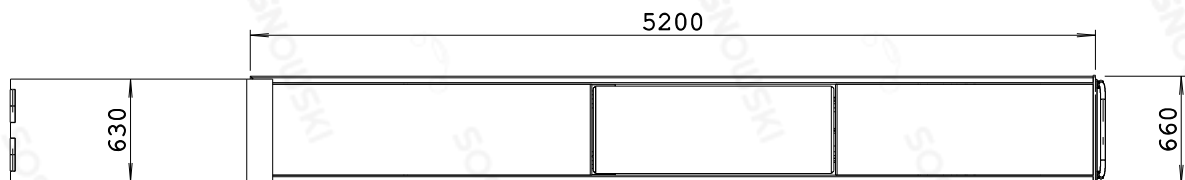
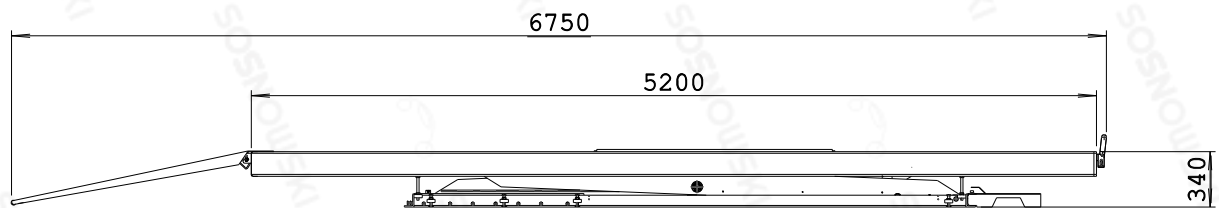
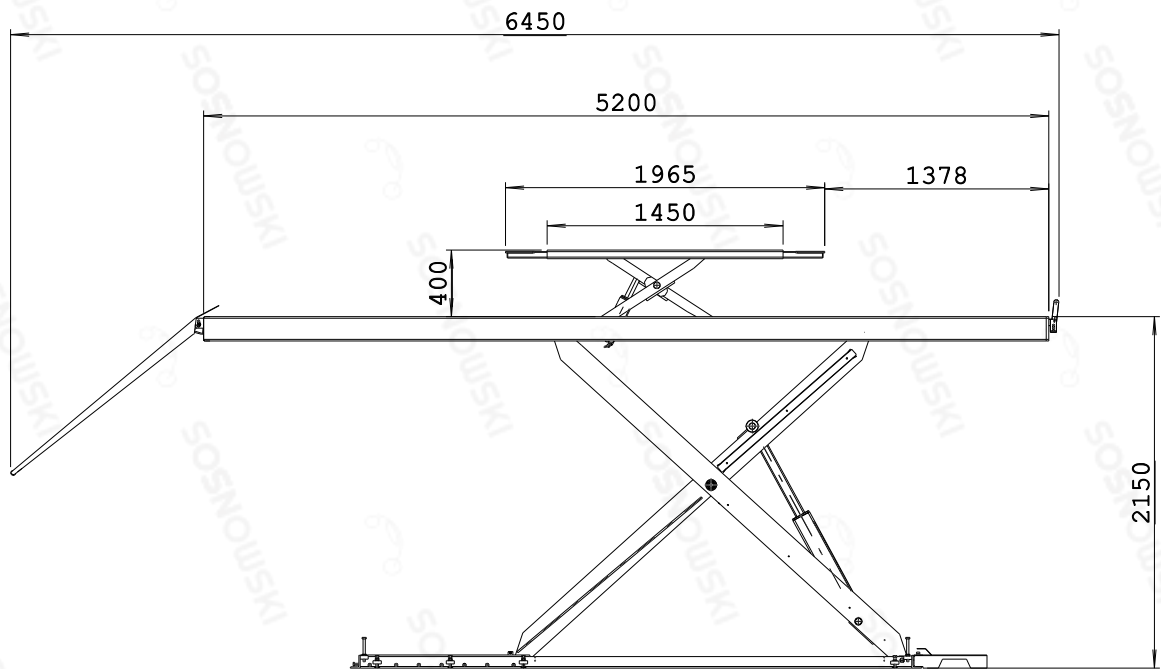
* DISTANZA SUGGERITA
* SUGGESTED DISTANCE



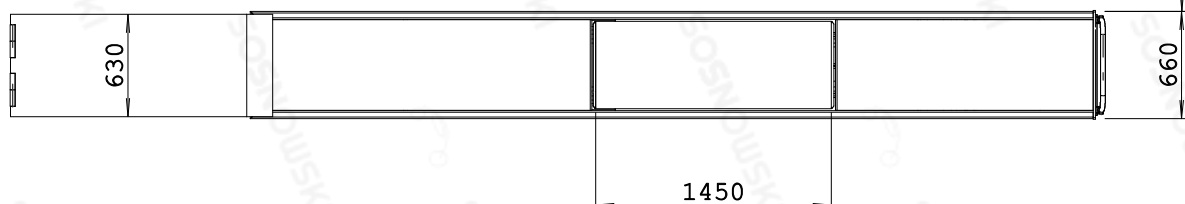


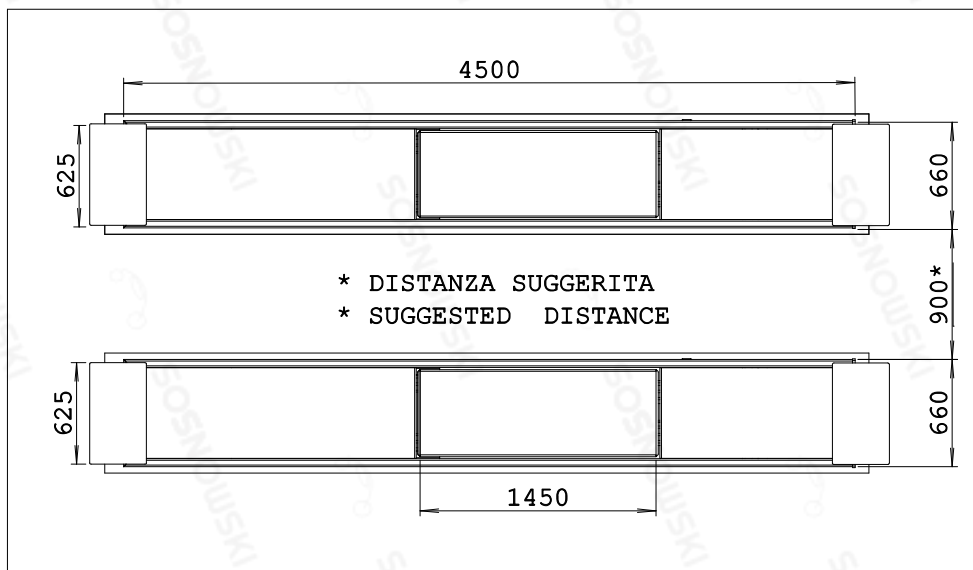
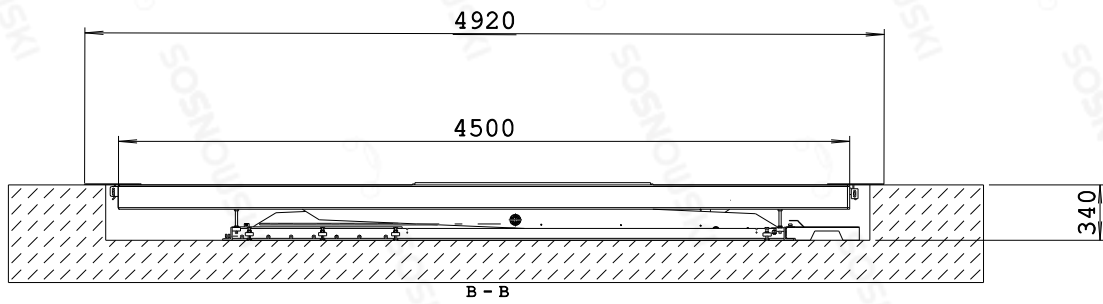
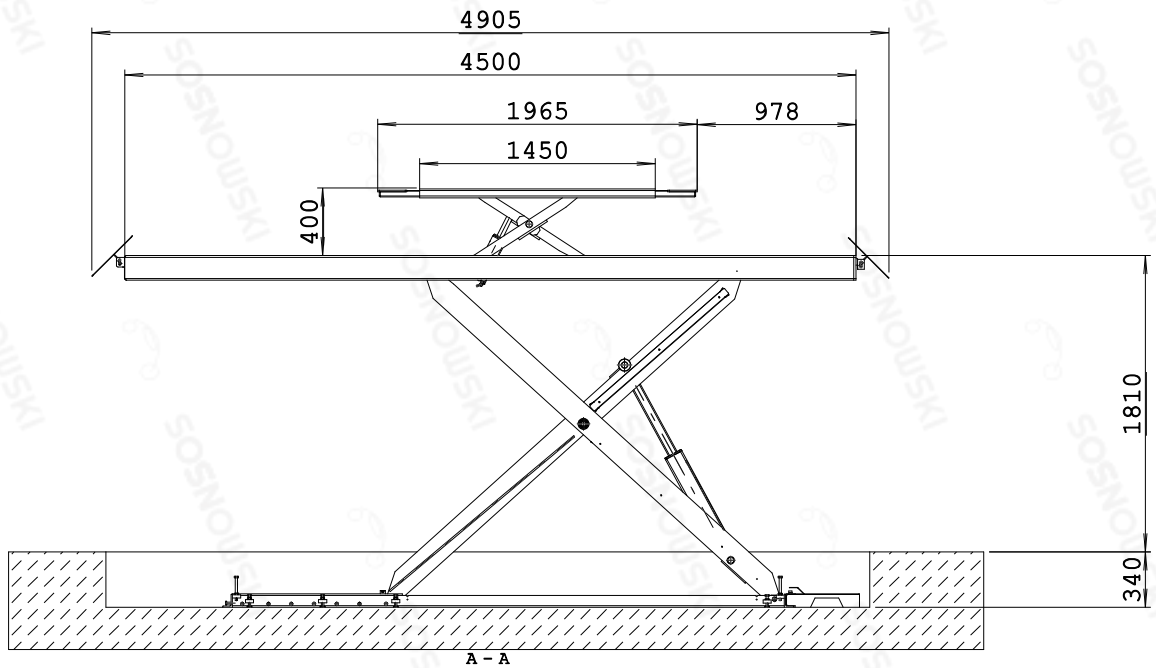
* DISTANZA SUGGERITA
* SUGGESTED DISTANCE

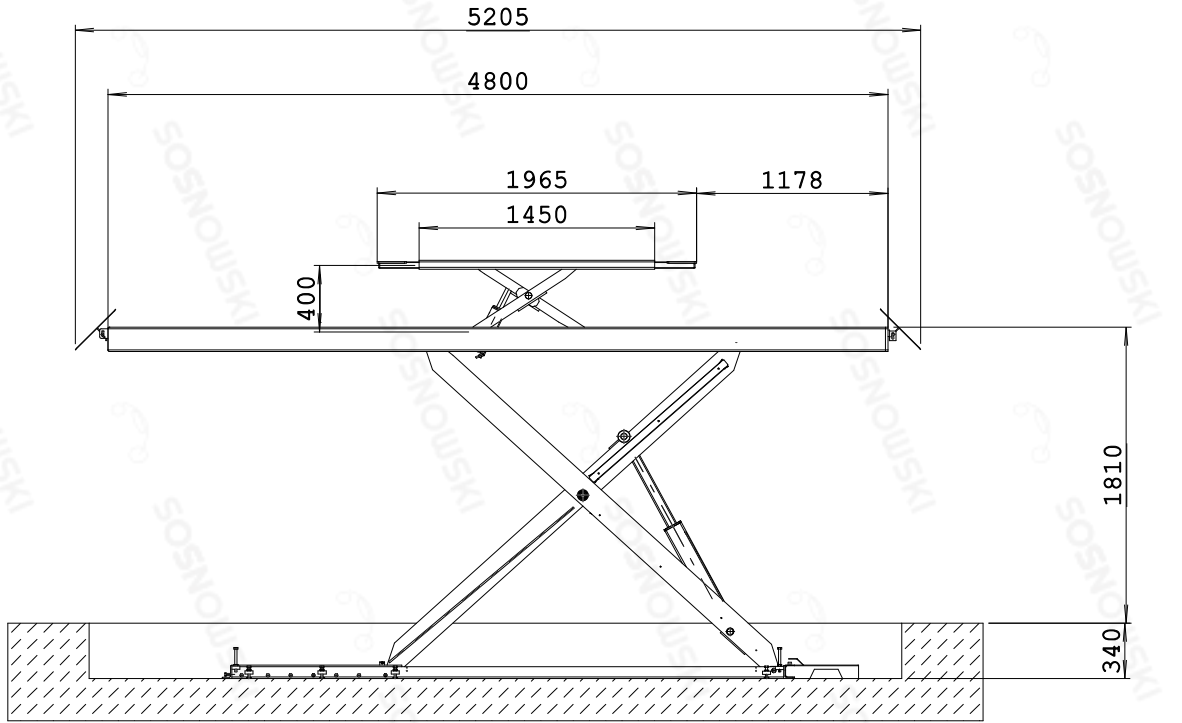




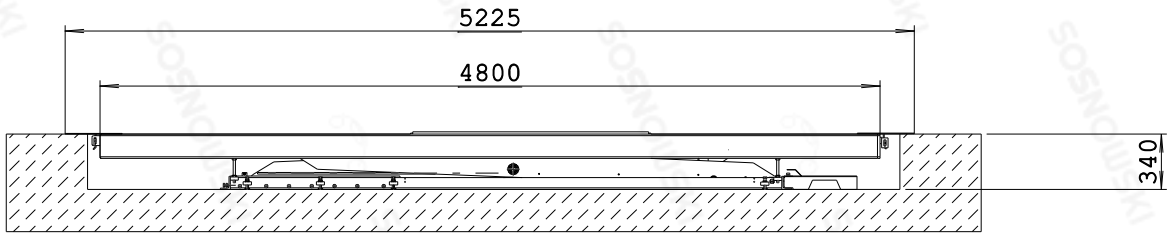
* DISTANZA SUGGERITA
* SUGGESTED DISTANCE



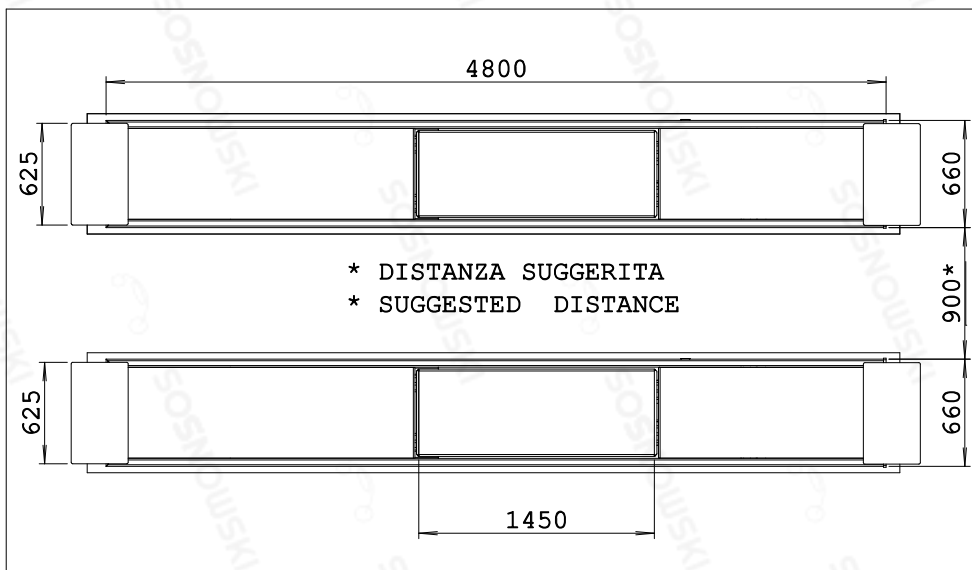


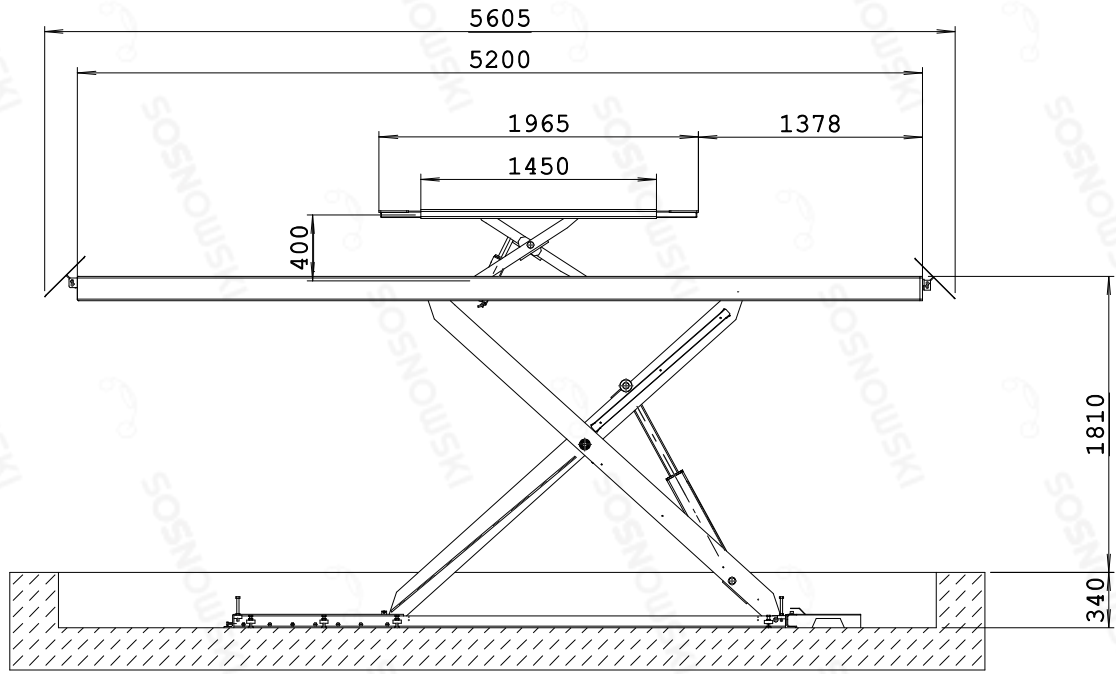


c - c

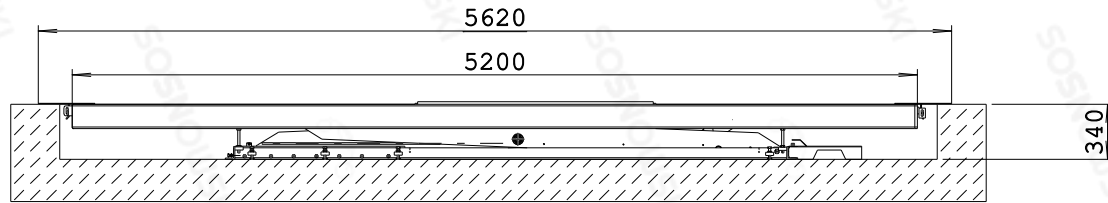


D - D

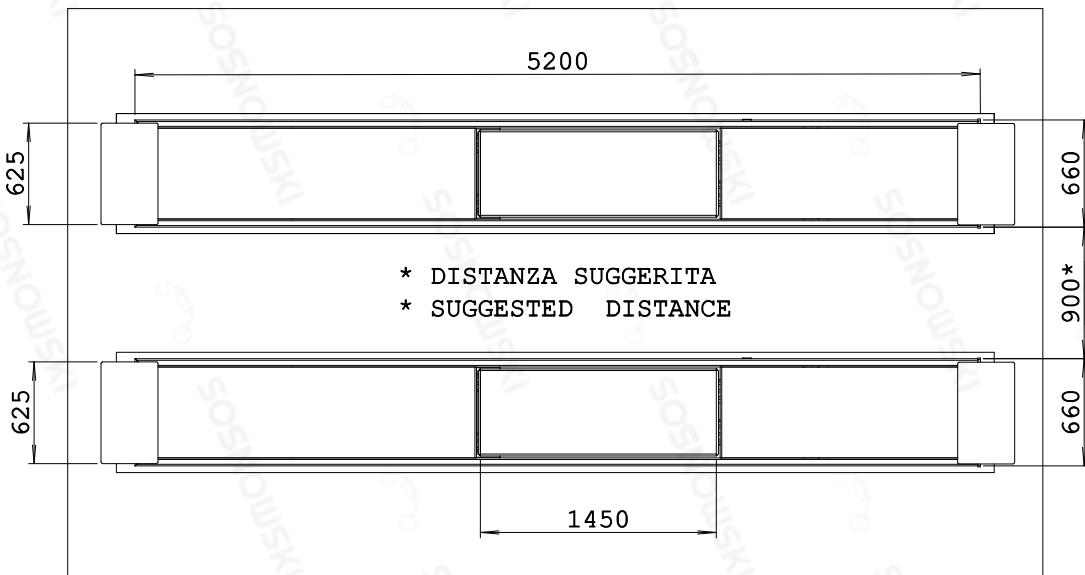


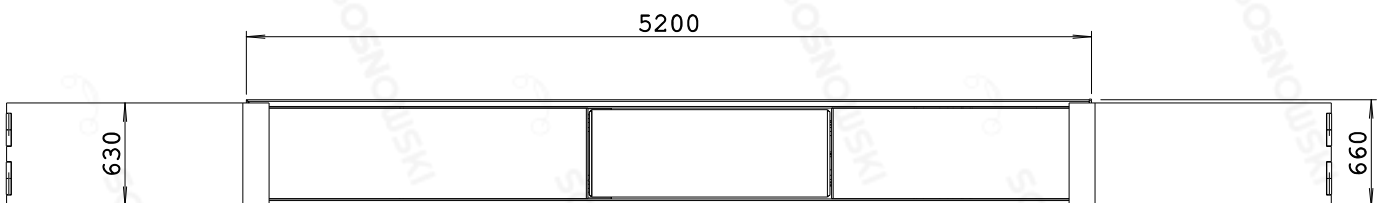
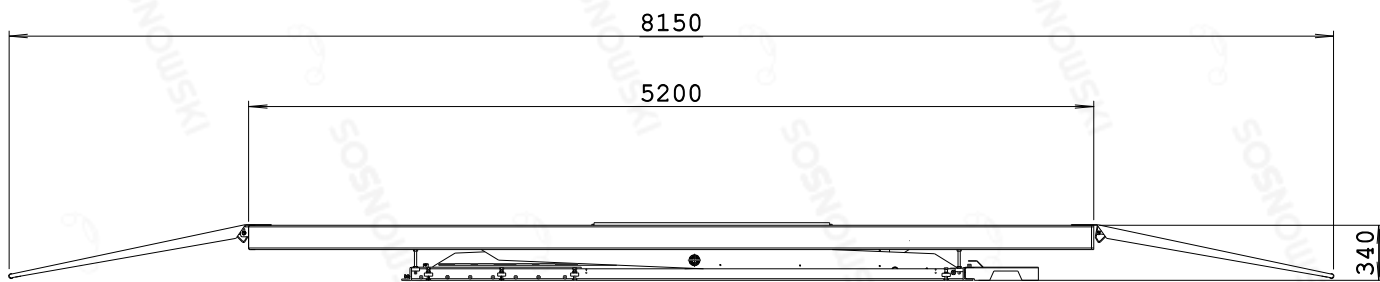
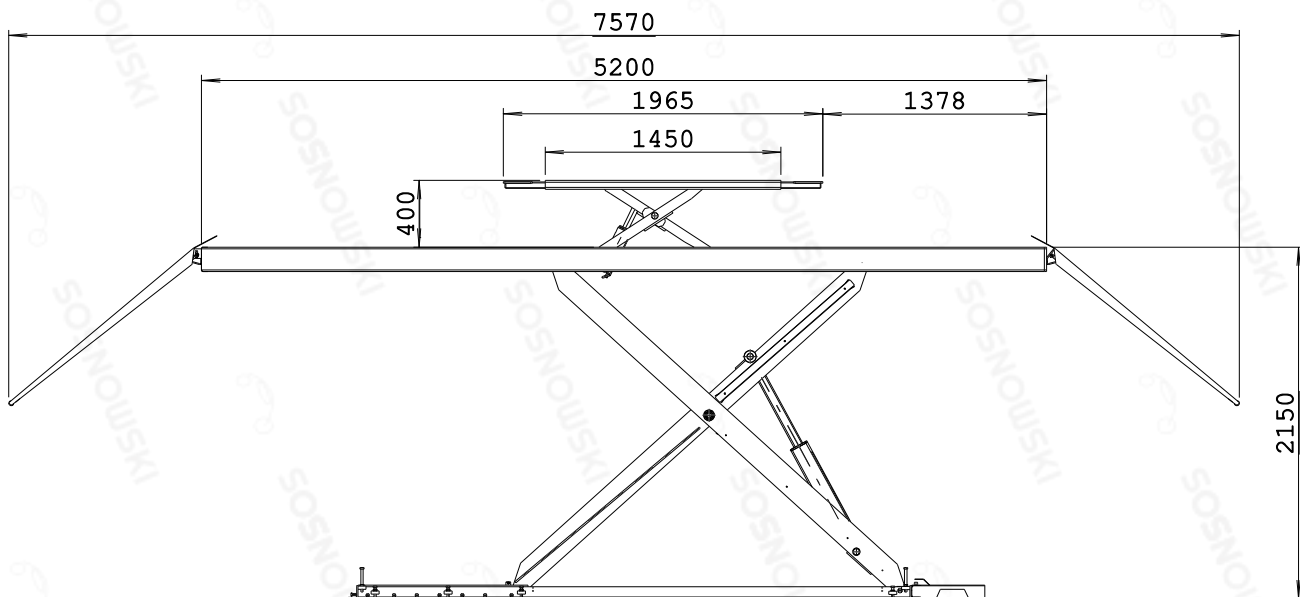


E - E

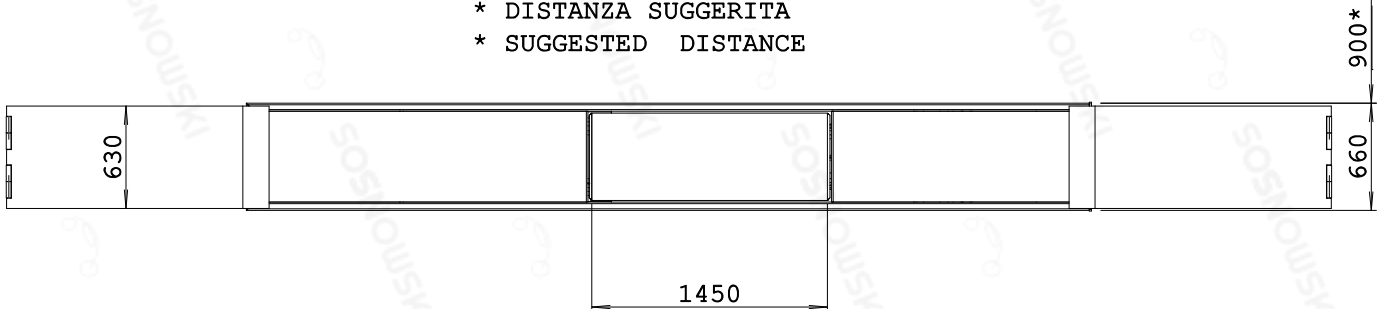


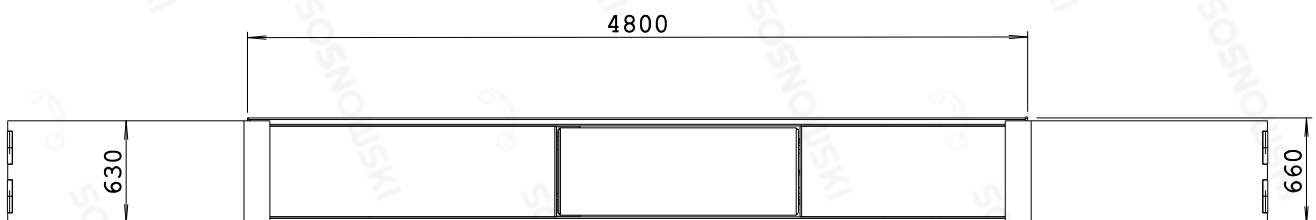
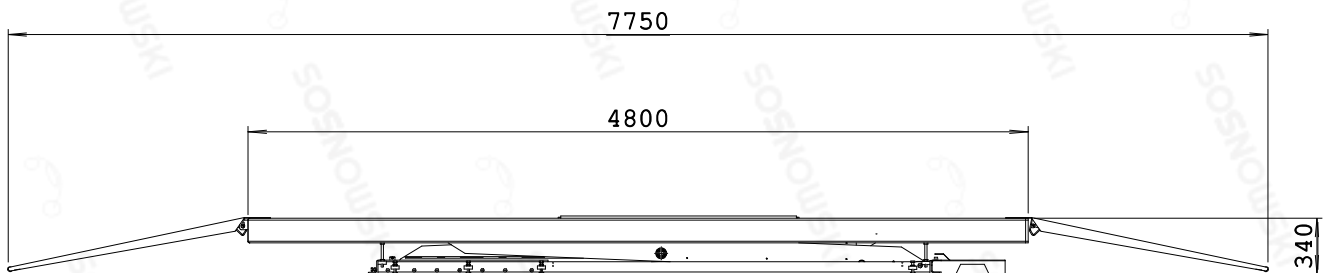
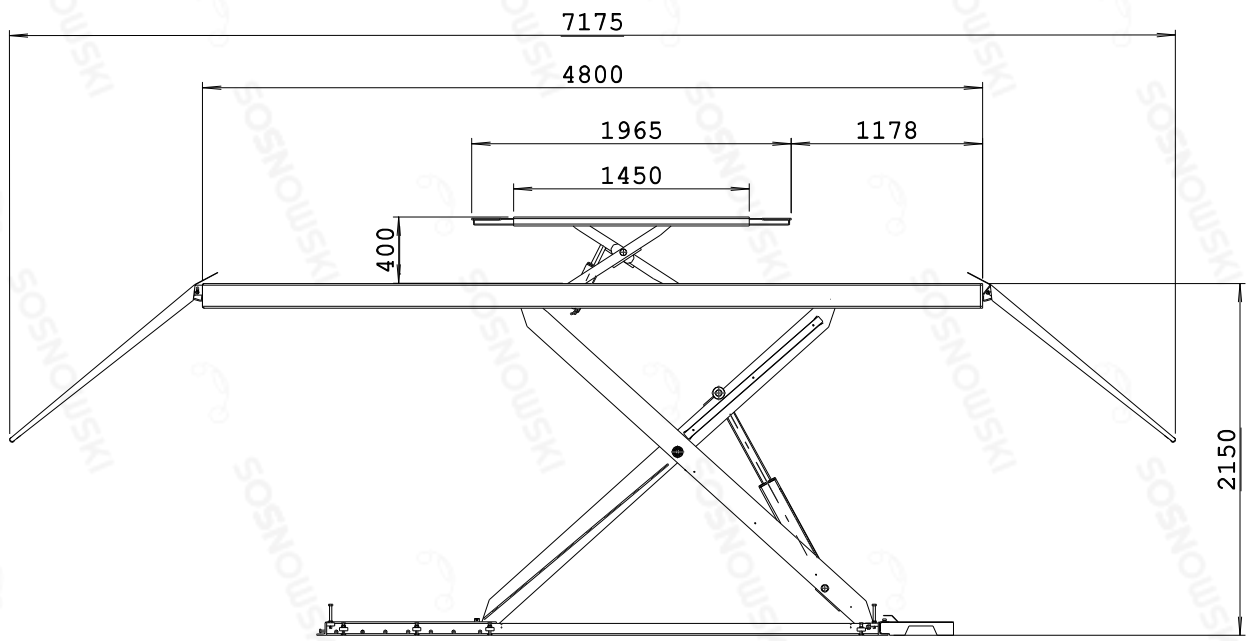
F - F



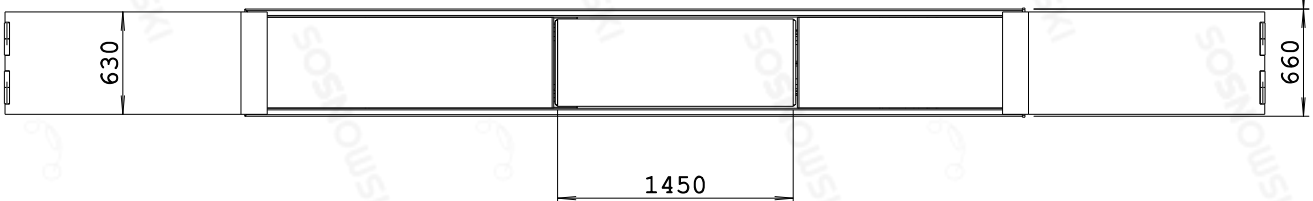


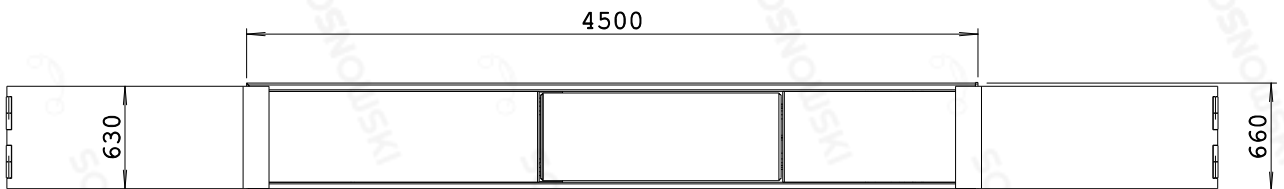
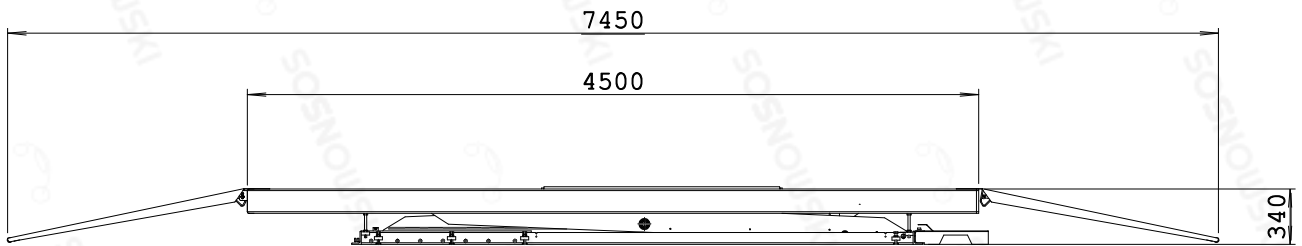
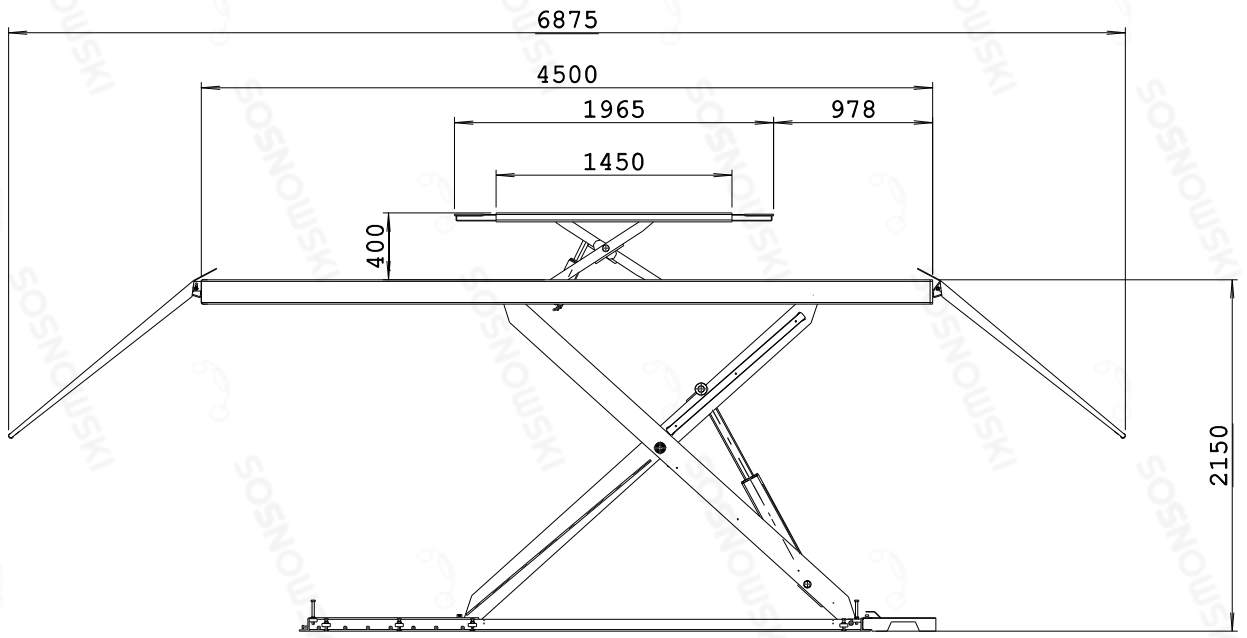
* DISTANZA SUGGERITA
 * SUGGESTED DISTANCE





* DISTANZA SUGGERITA
* SUGGESTED DISTANCE





* DISTANZA SUGGERITA
* SUGGESTED DISTANCE

