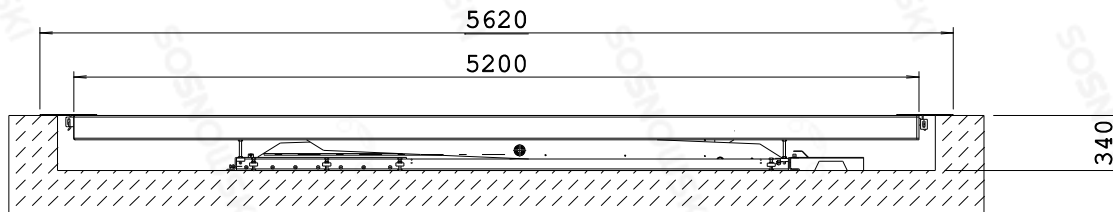
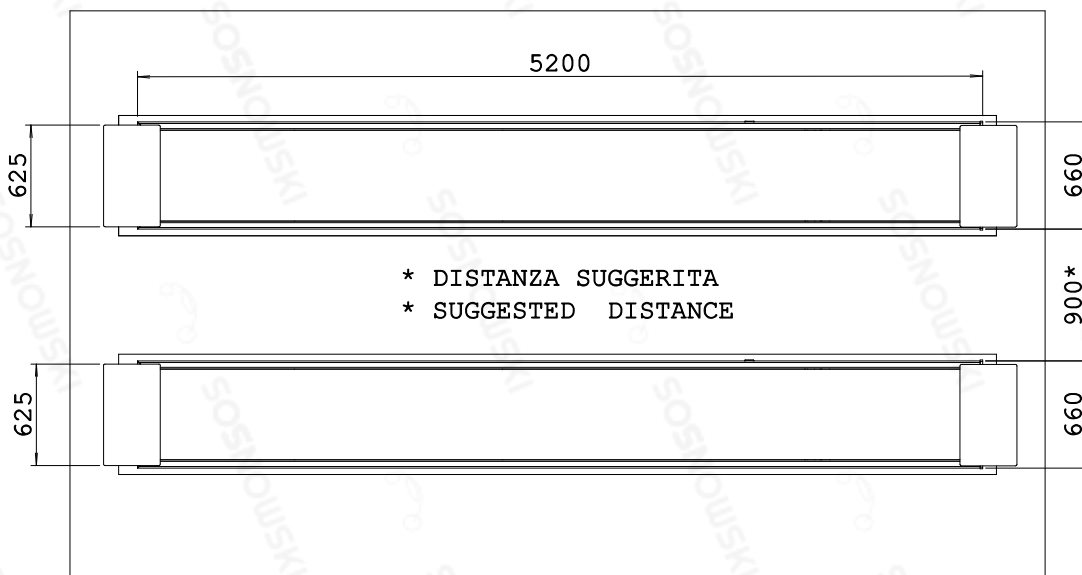
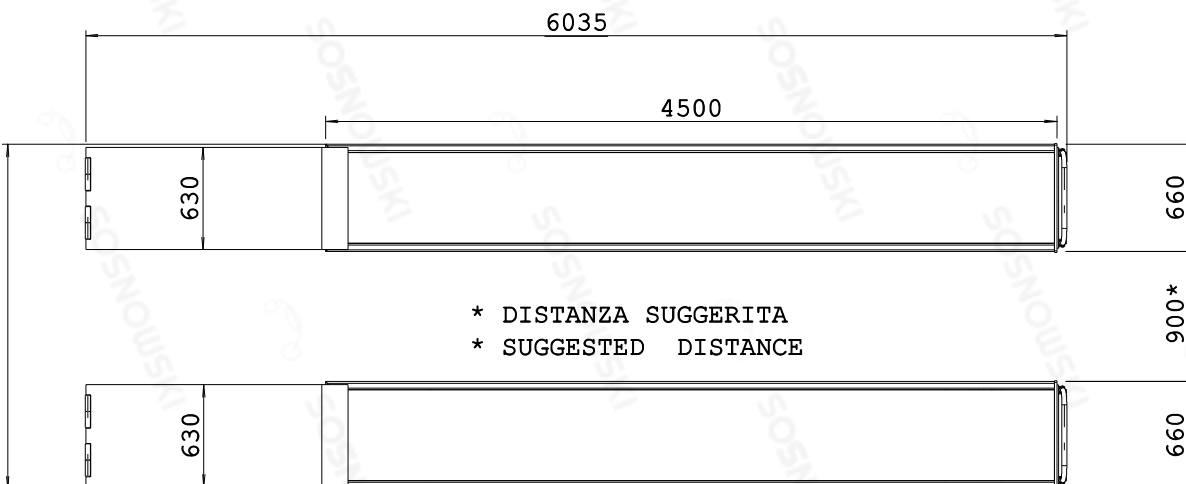
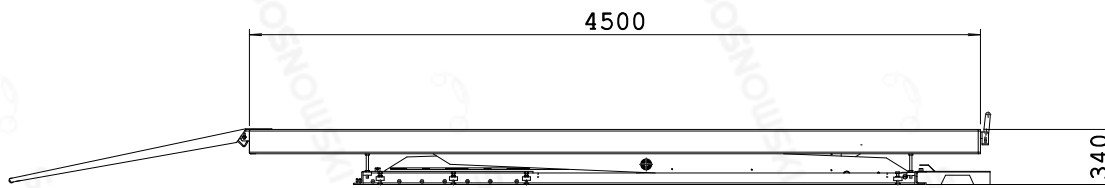
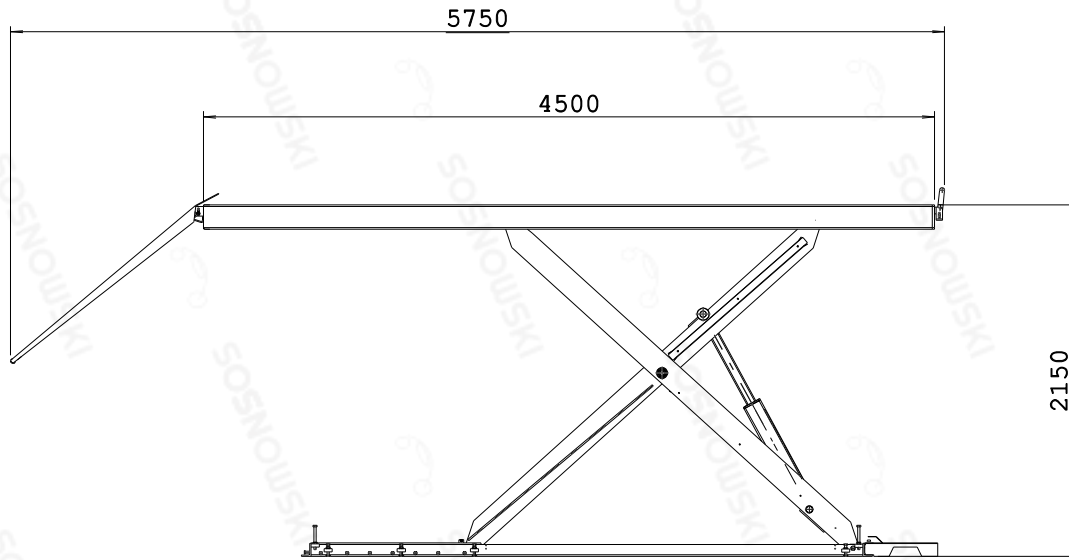


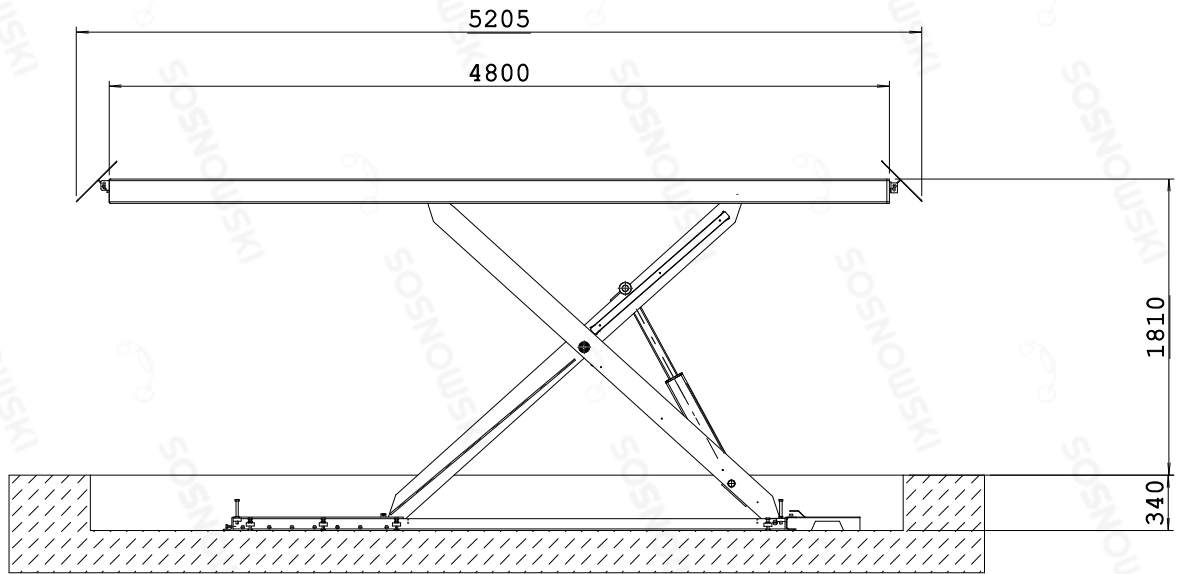
E - E



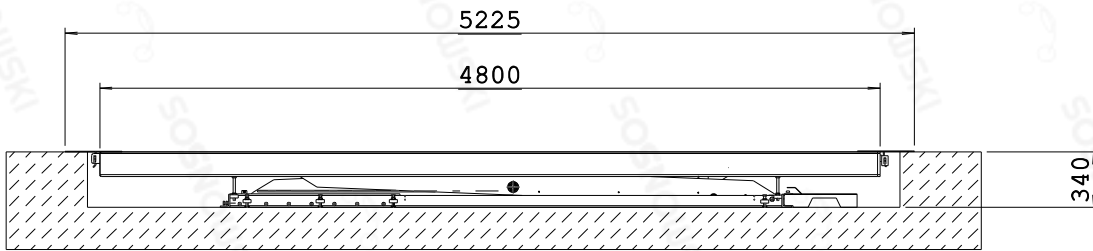
F - F



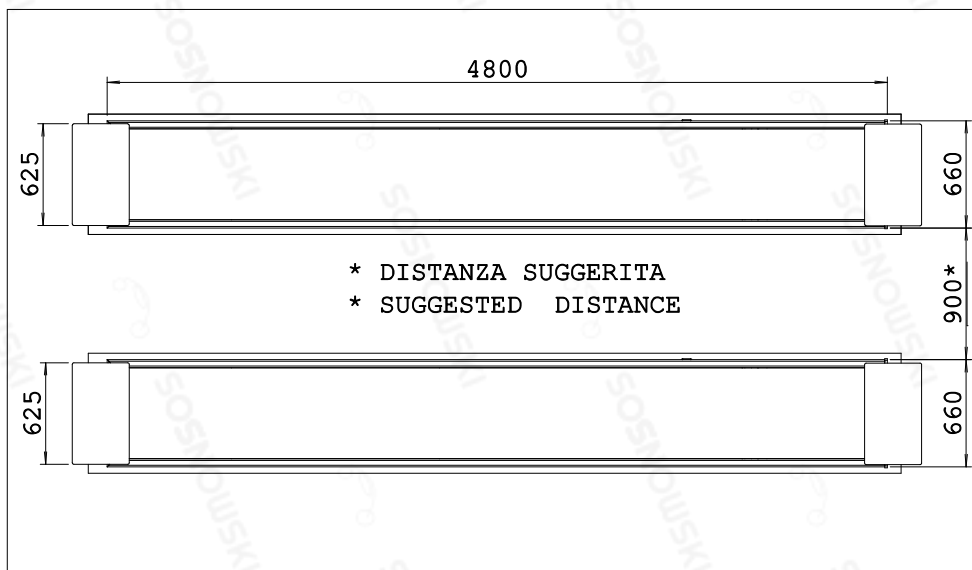


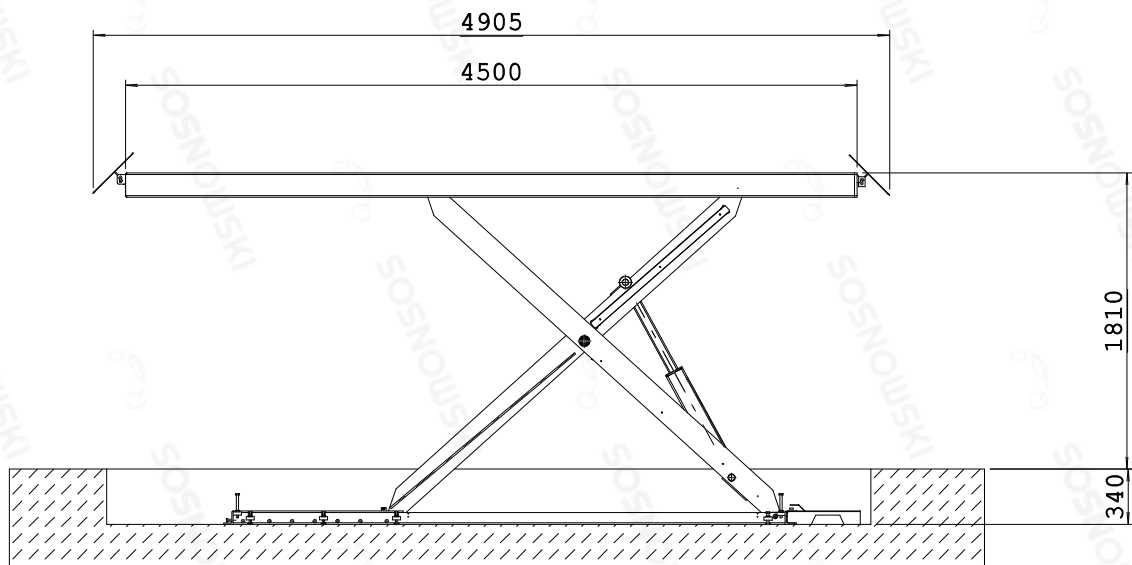


C - C

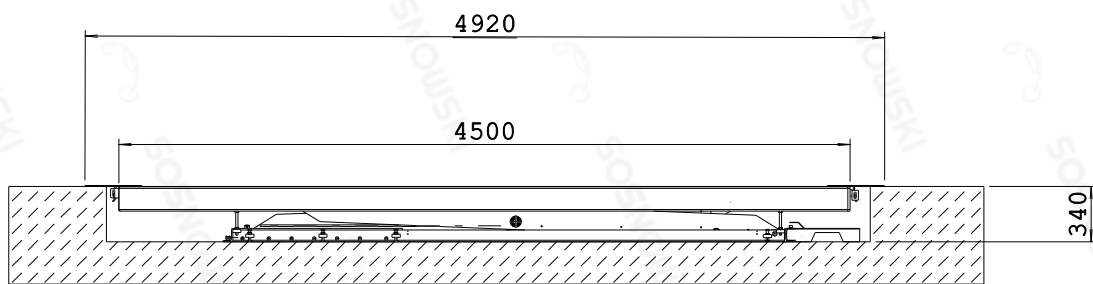


D - D

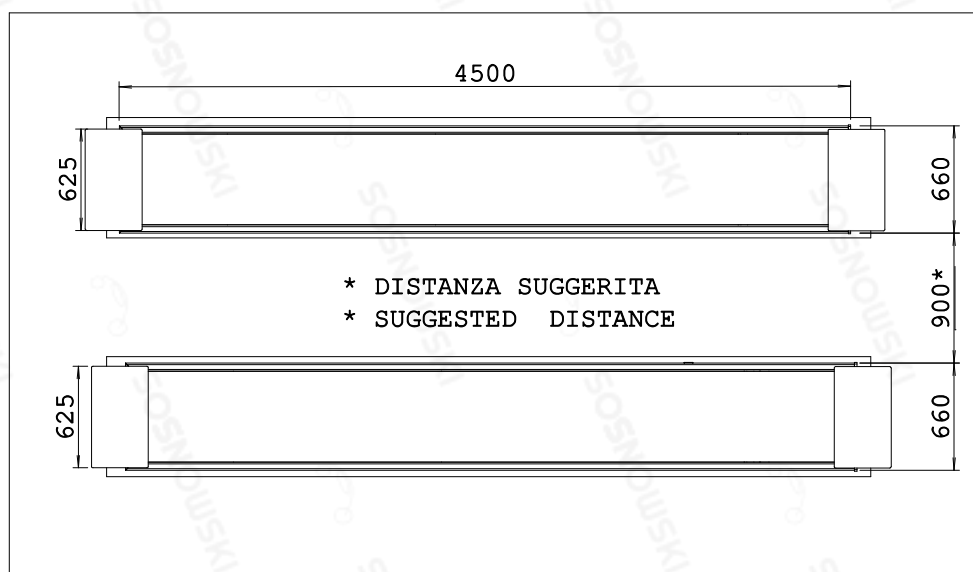


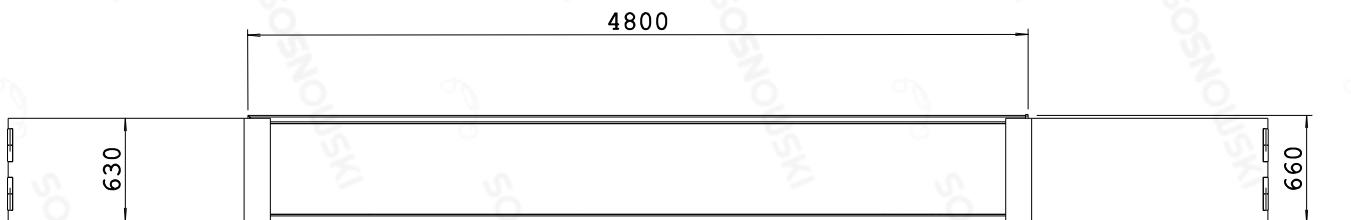
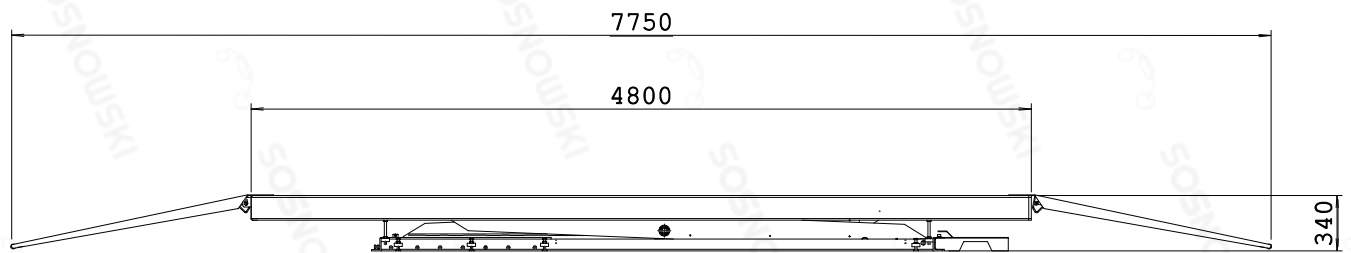
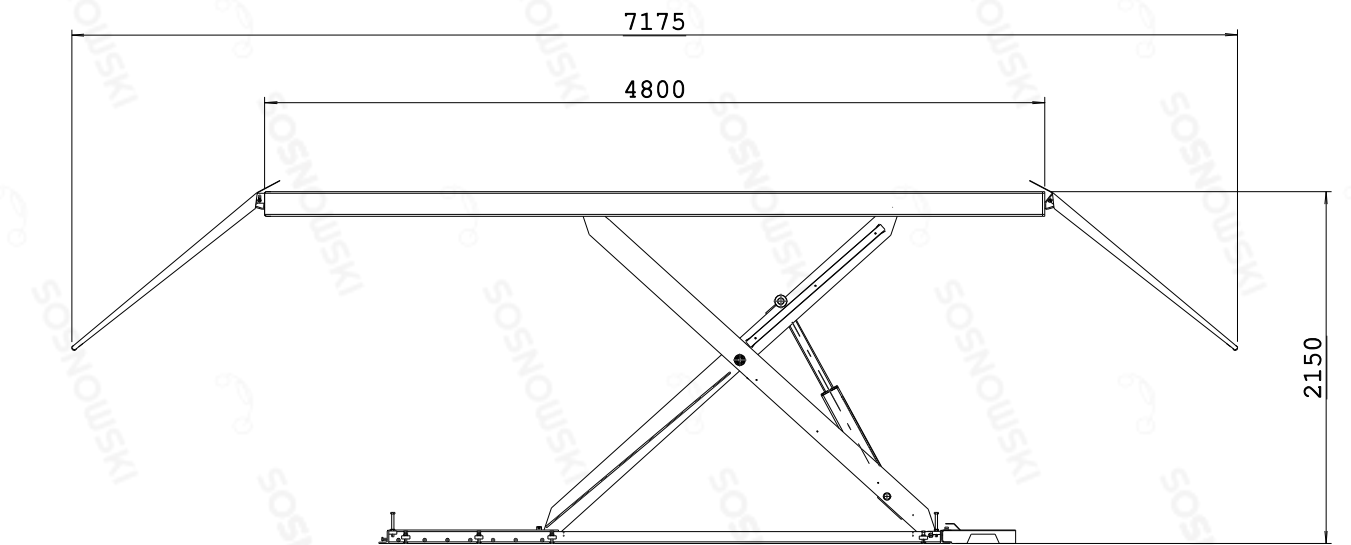


A - A



B - B

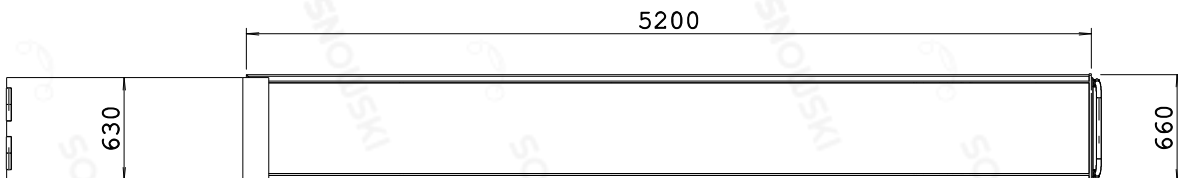
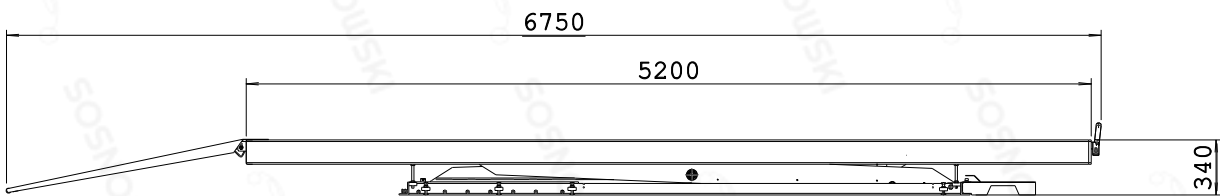
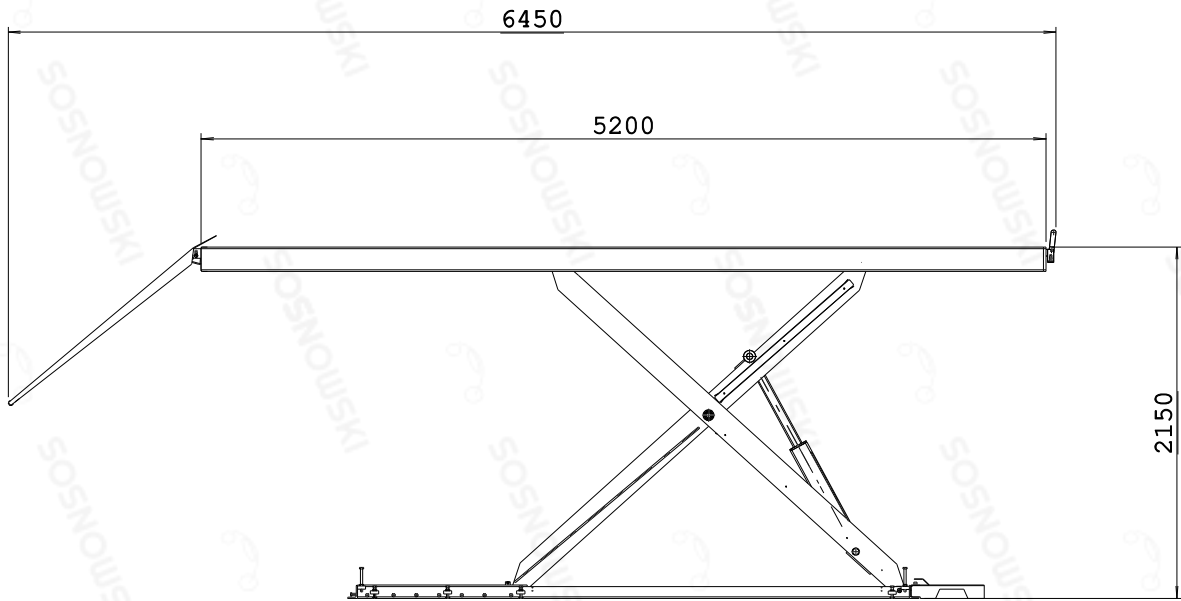




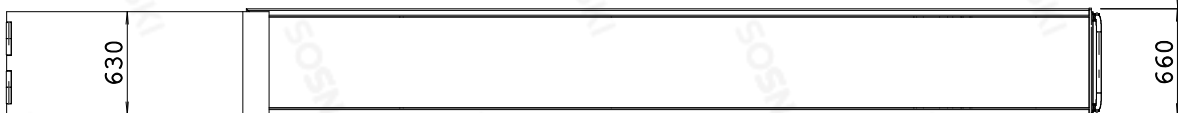
* DISTANZA SUGGERITA
* SUGGESTED DISTANCE

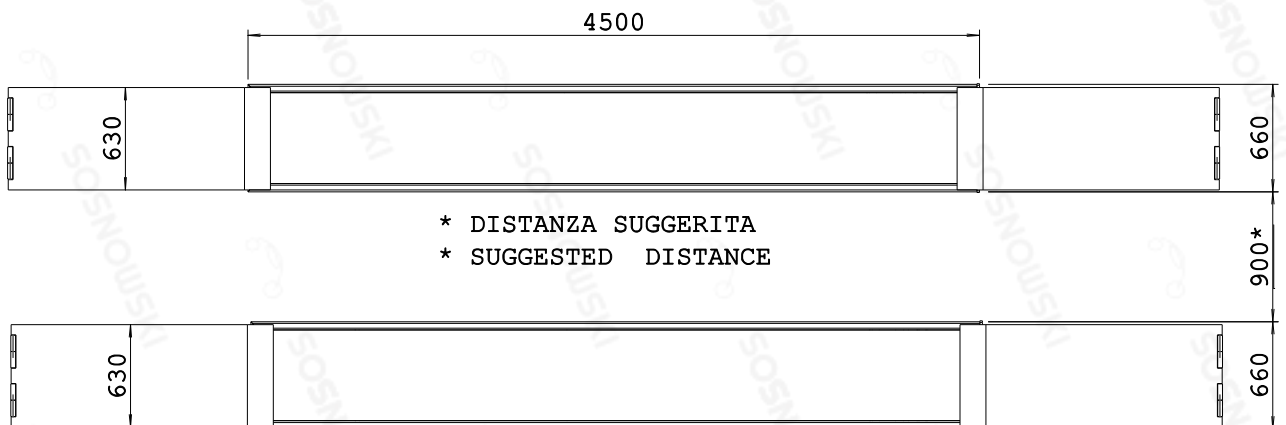
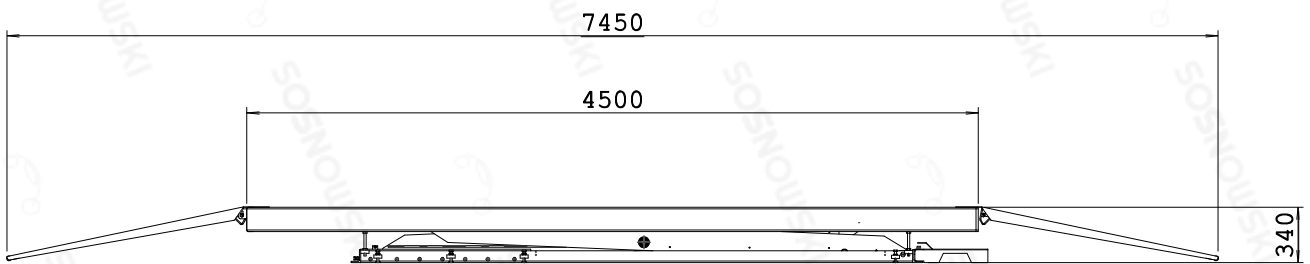
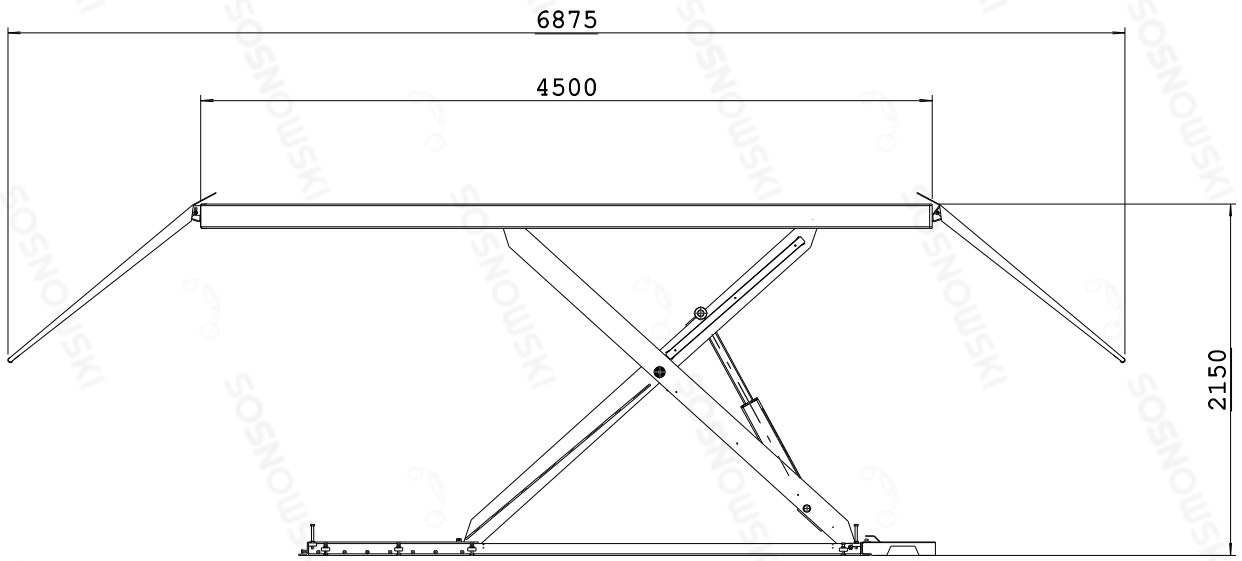
900*

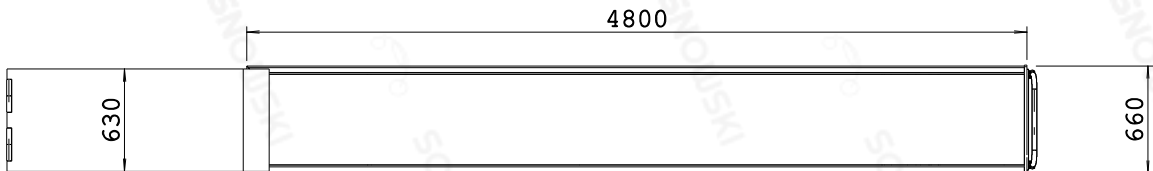
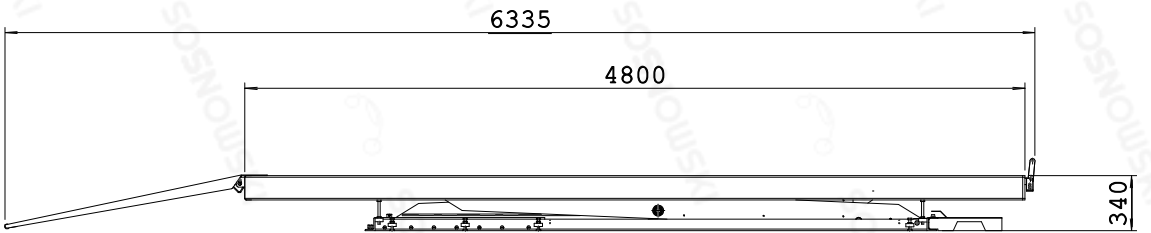
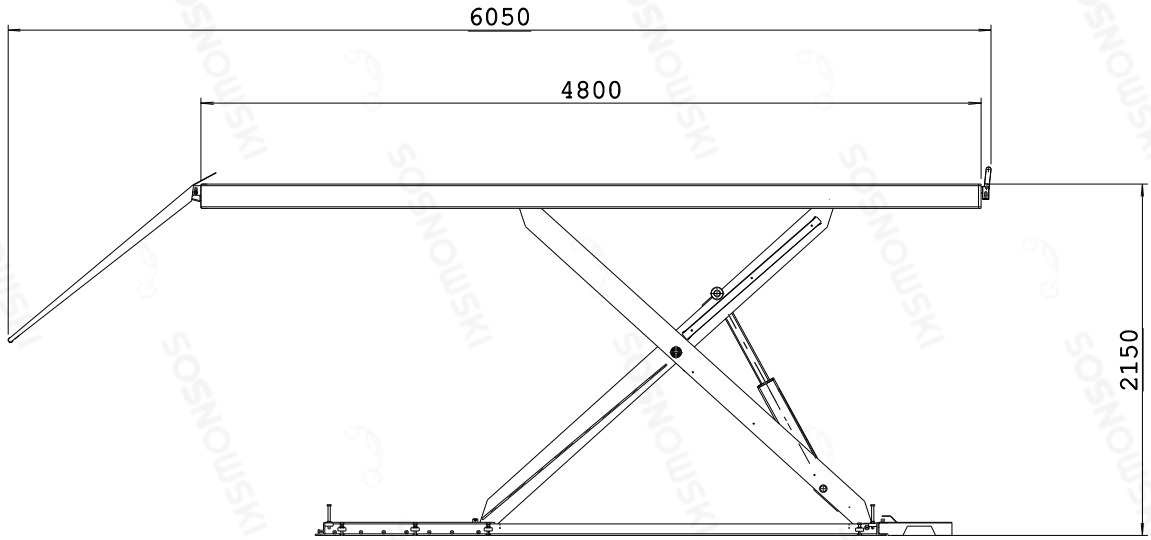




* DISTANZA SUGGERITA
* SUGGESTED DISTANCE

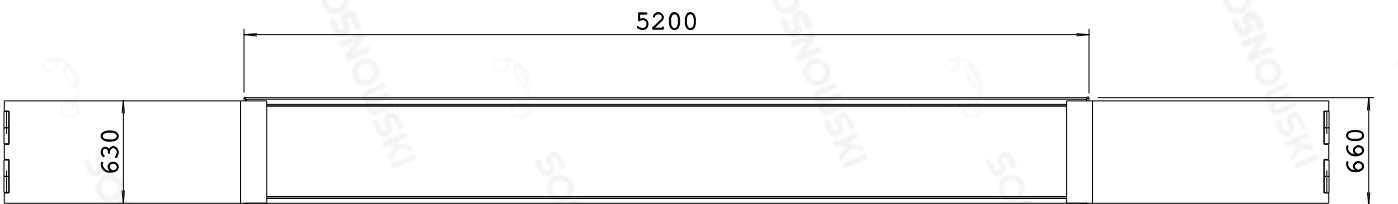
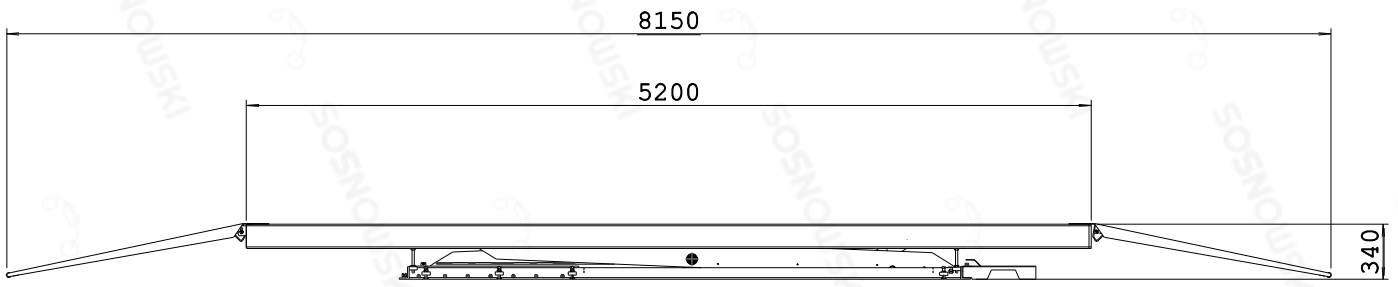
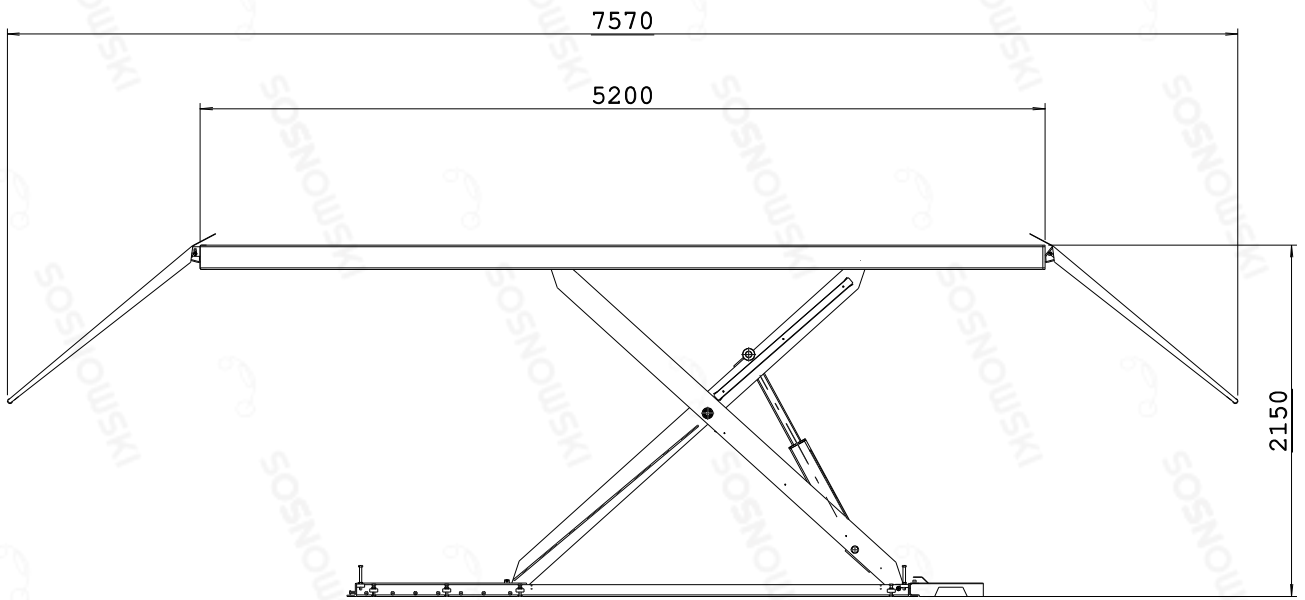






* DISTANZA SUGGERITA
* SUGGESTED DISTANCE





* DISTANZA SUGGERITA
* SUGGESTED DISTANCE

